

WIRELESS NETWORK ACCESS POINT

The GateWay™

- Network Data Transceiver
- Manages Communications for Up to 50 Nodes
- USB 2.0 Compliant PC Interface
(Powered via USB interface)
- ISM Band (868/915 MHz)
(FCC certified with no license required)
- Transmits up to 50m (160´)*
(* under optimal environmental conditions)
- Standard Windows® User Interface- Win9X, Windows XP & Windows 2000



The GateWay is a high performance wireless network access point used with Magna Systems' measurement transducers and powerful DataLink™ software to implement test and measurement platforms. The GateWay manages and controls network communications including network initialization, transducer configuration, data collection, alarm condition management and network diagnostics. The USB 2.0 compliant PC interface provides high speed connectivity and power for the GateWay.

Interfaces-

The GateWay communicates with PC platforms via a USB 2.0 compliant interface. As with other USB devices, installation is achieved simply by connecting to the PC using the supplied USB cable.

The GateWay wireless network interface is a radio frequency transceiver operating in the ISM band (868/915 MHz). The wireless network interface is FCC certified and requires no end user license. All Magna Systems' wireless products are designed for operation with the GateWay.

Software Support-

The GateWay is designed to be supported by Magna's DataLink™ software. This powerful Windows® software enables all test, measurement, display, charting and diagnostic functions. DataLink™ provides ease of use, confirmation of proper test functionality and ensures data reliability. Data post-processing is easily achieved using other familiar Windows® products (e.g., MS Excel®).

Additional Required Equipment-

The GateWay requires the use of Magna's DataLink™ software.



GateWay Specifications

Network Functionality-

Number of Nodes: up to 50

PC Interface-

USB 2.0 compatible interface

Wireless Network Interface-

Half duplex communication

Radio characteristics:

868 / 915 MHz ISM band radio

+5 dBm maximum TX power

RX sensitivity better than -100 dBm

Range†: Up to 50 m (160') under optimal environmental conditions

† Changes or modifications to the GateWay not approved by Magna Systems may void the user's authority to operate the equipment.



General Specifications-

Operating Environment:

0 to 80°C (32 to 176°F)

5 to 95% RH non-condensing

Vibration: 10 g (rms 20 Hz to 2000 Hz)

Shock: 3 foot drop

Power: Powered via USB port

Time Accuracy: ± 1 min / month

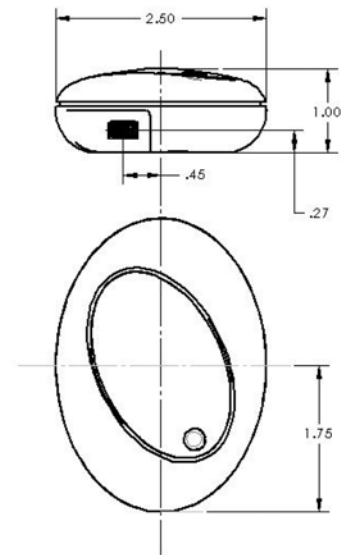
On Board Clock Power Backup: > 5 days

Storage Temperature Range: -40 to 120 °C

Weight: 75 grams

Enclosure: Flame Retardant ABS plastic
(UL flame rating of 94-V0)

Dimensions:



All dimensions in inches

For more information or to order contact us at 1-888-9 MAGNA 9 (962-4629).



www.magnasystems.net

+1 650 917 5900